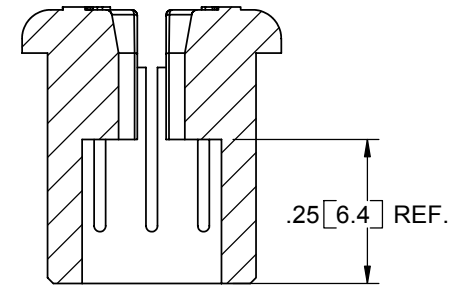
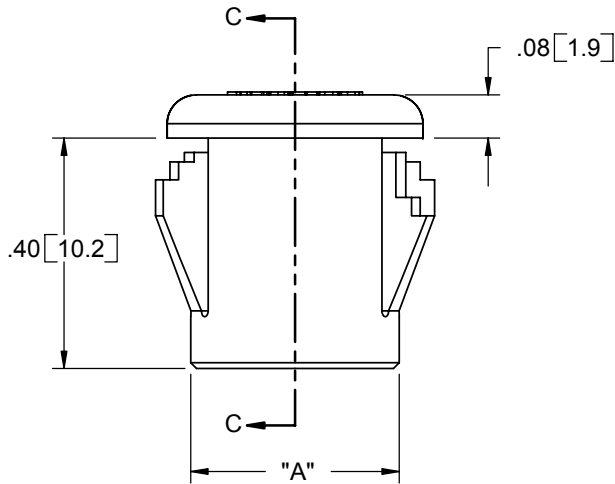
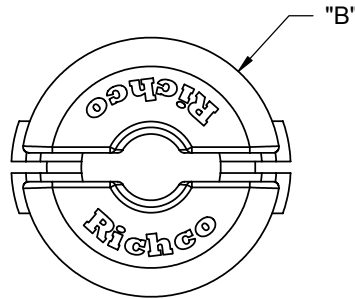


PART. NO.	Ø "A"	Ø "B"	PANEL HOLE DIA. (±.003)	NOM. PANEL THICKNESS	APPROX. CABLE HOLDING DIA.
SB-1	.36 [9.1]	.45 [11.4]	3/8 [9.5]	1/32, 1/16, 3/32, 1/8 [0.8, 1.6, 2.4, 3.2]	.15 [3.8]
SB-2	.43 [10.9]	.55 [14.0]	7/16 [11.1]		.22 [5.6]
SB-3	.49 [12.4]	.63 [16.0]	1/2 [12.7]		.28 [7.1]



SECTION C-C
SCALE 3 : 1

NOTES:
1. MATERIAL: NYLON 6/6 (RMS-01)
2. COLOR: BLACK

TITLE: SNUB BUSHING					DWG IN IN [MM]	
CREATED USING SOLIDWORKS	FILE #: SB	DWN: S.J.	APP: SJ	FINAL		
TOLERANCES UNLESS NOTED .XX=±.010 .XXX=±.005 FRAC.=±1/64 ANG.=±1°	SHEET: 1 OF 1	SHEET SIZE: A	DT: 6.10.04	CHKD: DJZ	PART #	PRINT TYPE
	RE: RICHCO, INC.		RICHCO, INC. ENG@RICHCO-INC.COM (773) 539-4060	SEE TABLE	CA	

REV.	DESCRIPTION	ENGR.	DATE
C	SEE ECN #909 FOR CHANGES	SM	01/10/05
B	SEE ECN #804 FOR CHANGES	SM	06/17/04
A	RELEASED FOR PRODUCTION	SM	06/10/04